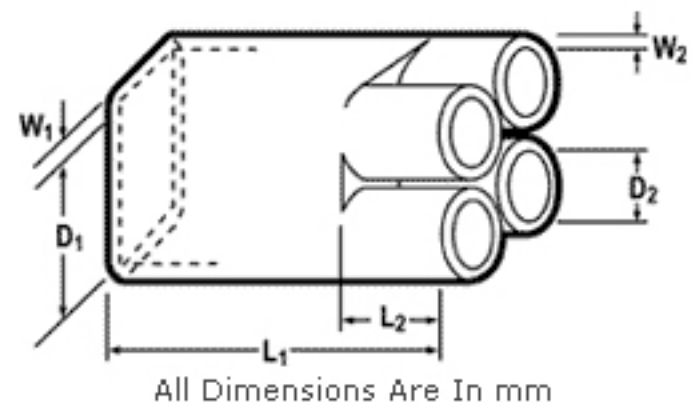


# Heat Shrinkable Low Voltage Insulating Breakout



## Features

- **Application:** Sealing spreader caps for all indoor & outdoor application of polymeric insulated cables
- **Material:** Cross linked polyolefin, free of lead & cadmium
- **Colour:** Black
- Outstanding mechanical, chemical & electrical properties
- UV- resistant
- Halogen - free
- Thermoplastic Adhesive Liner provides complete enviromental pressure & humidity protection
- Continuous operation temperature: - 55° C to 120° C
- Seals and protects multi - conductor cable and conduit breakouts
- In conformance with ESI 09 - 13

## Technical Data

Properties	Requirements	Testing Methods
<b>Physical</b>		
Tensile Strength	8 N/mm <sup>2</sup> (min.)	ASTM D412
Ultimate Elongation	200% (min.)	ASTM D412
Thermal Aging (168 hrs at 175° C)		
Ultimate Elongation	200% (min.)	ASTM D 412
Low Temperature Flexibility (-20° C)	No cracking	ASTM D 2671
Heat Shock (4 hrs at 225° C)	No dripping, flowing or cracking	ASTM D 2671
Flammability	Self ext. within 50 mm	ASTM D 2671
<b>Electrical</b>		
Dielectric Strength	10 kV/mm (min.)	ASTM D149
<b>Chemical</b>		
Water Absorption	0.5% (max.)	ASTM D570

## Dimension Chart

Code	Expanded		Recovered						
	D1	D2	D1	D2	L1	L2	W1	W2	
DIBB4-35-12	35	16	12	4	100	25	2,5	1,5	<a href="#">Enquiry</a>
DIBB4-55-25	55	25	25	9.4	190	45	3,5	2,8	<a href="#">Enquiry</a>
DIBB4-55-25L	55	25	25	9.4	235	45	3,5	2,8	<a href="#">Enquiry</a>
DDIBB4-68-25	68	34	25	9.4	190	45	3,5	2,8	<a href="#">Enquiry</a>
DIBB4-68-25L	68	34	25	9.4	235	45	3,5	2,8	<a href="#">Enquiry</a>
DIBB4-78-30	78	38	30	12	205	45	4,0	3,3	<a href="#">Enquiry</a>
DIBB4-78-30L	78	38	30	12	235	45	4,0	3,3	<a href="#">Enquiry</a>
DYIBB4-90-30	90	38	30	12	205	45	4,0	3,3	<a href="#">Enquiry</a>
DIBB4-90-30L	90	38	30	12	235	45	4,0	3,3	<a href="#">Enquiry</a>